



From the President

Thanks to Chuck Tarbox for setting up last month's meeting at the Challenger Learning Center. It is amazing! The presentation by the Tour Guide was very good. It felt like we were at Huston and on a lab on the space shuttle. I think this facility is a great asset in promoting science and math to young people. I hope we get to do that again sometime.

It looks like March came in like a lion and we'll see if it goes out like a lamb. Don't forget the Static Show is scheduled for the Saturday in May, so keep working on those new models.

Hope to see you at the field soon.

Jim.



Club members enjoy a tour at the Challenger Learning Center. (more pictures of the nights event on page 4).

In this issue...

From the President.....	1
February Minutes.....	2
Show and tell.....	3
Plane Locator	3
Photos from February Meeting	4
Fuel Orders.....	5
Ads and Announcements.....	5
Upcoming Events Calendar.....	6

The *SIRS Newsletter* is published monthly as a membership service of the

**Central Illinois Radio Society, Inc.
RR3
Bloomington, IL 61704**

SIRS and its newsletter staff assume no liability for any errors or omissions in any articles or advertisements printed herein. Advertisements printed do not constitute endorsements of any product or vendor. In general, publications and products named in the articles or in advertisements are trademarks or copyrights of the product depicted. The contents of the *SIRS Newsletter* may be reprinted by other clubs with proper credit given, and a copy sent to SIRS. Commercial publications must have prior permission to reprint.

Club Officers

President

Jim Danforth
18943 East Pioneer St.
Bloomington, IL 61704
309-665-0923
res8rf65@verizon.net

Vice President

Patrick Henson
1214 N. Oak St.
Bloomington, IL 61701
309-275-2975

Treasurer

Tom Kirk
1010 Old Farm Rd.
Bloomington, IL 61704
309-275-3649
ATKIRK24@MSN.COM

Secretary

Mike Wilson
2607 Clearwater Ave.
Bloomington, IL 61704
309-662-7455
Mmpjs.wilson@insightbb.com

Newsletter Editors

Andy Cogswell
302 S. Washington
Farmer City, IL 61842
Cogs99@verizon.net

SIRS Web Page

<http://www.sirs.cc>

Club Meetings

Club meetings are held on the second Saturday of each month at the flying field in Covell, IL. Meetings begin at 7:00pm during the winter (CST) and 8:00pm during the summer (CDT).

SIRS Inc Meeting

February 12th, 2005

CALL TO ORDER:

President Jim Danforth called meeting to order at 7:45. There were 22 members present.

PREVIOUS MINUTES:

Mike Wilson read the previous minutes from the January meeting.

TREASURE'S REPORT:

Treasure Tom Kirk gave the treasure's report. Motion passed.

NEW BUSINESS:

Put together a new constitution this month for the club.

Big Bird 664 Chapter was established and approved for by the AMA for June 11th.

A request for the Museum Aviation Camp to be held at SIRS field on July 20th from 1:30-3:00.

We need 3 trainer planes available to fly and 6 members to help out. Motion passed.

SHOW & TELL:

Duane Hollinger showed us his Reno Critical Mass aircraft that he scratch built from a scale aircraft.

ADJOURNMENT:

Meeting adjourns at 9:00pm. Motion passed

Respectfully submitted,
Mike Wilson, Secretary

SHOW AND TELL



Duane Hollinger showed us his Reno Critical Mass aircraft that he scratch built

An inexpensive locator for models

from the Rockland County RC Club by Greg Lee

The sound generator of a musical greeting card has some specifications that make it a good locator for lost aircraft—especially electric models.

It has the following characteristics:

- 1) It only weights .2 oz or six grams.
- 2) It only requires .15 mA at 1.5 VDC. This allows a theoretical use of 2.2 years from a receiver pack.
- 3) The sound level is 55 dB at one meter—audible to the undead at 100-feet.
- 4) It is only 1 - 1/8-inch in diameter and 1/4-inch thick.
- 5) They only cost \$0.10 per resistor, \$0.35 per capacitor, and one servo plug.
- 6) It's simple—if it has power, it has music.

Most greeting card sound boards are powered by 1.5 VDC, but some might use three-volt-batteries. By adding a resistor you can step the voltage down for your receiver pack.

You will also need a .1 F capacitor to smooth out the pulsation from the different tones.

To calculate the values for the resistor just follow this formula below where V1= receiver pack voltage, V2= sound board voltage

I avg= is the average current (amps)

$$R = (V1 - V2) / I \text{ avg}$$

example: $R = (4.8 - 1.5) / .00015$ $R = 22,000$ or the closest standard value.

from Planaphonre, Rockland County Radio Control Club, Louie Triozzi, editor, White Planes NY

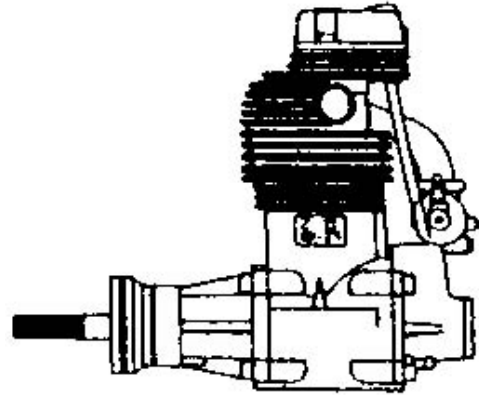
CLUB VISITS CHALLENGER LEARNING CENTER



The SIRS regular club meeting for February was held at the Bloomington Challenger Learning Center. Here are some photos of the night's meeting. All photos courtesy of Karl Laun.



Fuel Orders Taken until April 30th



The SIRS Club fuel order sheet will be posted in the little club house by approximately March 19th. It is hoped that any necessary details can be finalized at the March 12th meeting. Orders will be accepted until April 30th. Fuel orders could then be picked up at the May 14th club meeting. If you have any questions about the fuel order please feel free to email Todd Guttschow at toddg@connectingpoint.com.



SIRS Classifieds

FOR SALE

**** YOUR AD HERE ****

Submit your classified ads to the SIRS Newsletter Editor at:
Sirsnewsletter@verizon.net



S.I.R.S. Newsletter Editor
 Andy Cogswell
 302 S. Washington
 Farmer City, IL 61842

March 2005

Sun	Mon	Tue	Wed	Thu	Fri	Sat
		1	2	3	4	5
6	7	<div style="background-color: yellow; border: 1px solid black; padding: 5px;"> <p>In the coming months....</p> <p>SIRS Static Show-May 7th</p> <p>SIRS Big Bird- June 11th</p> </div>				12 SIRS meeting 7pm
13	14					19
20	21					26
27	28	29	30	31		